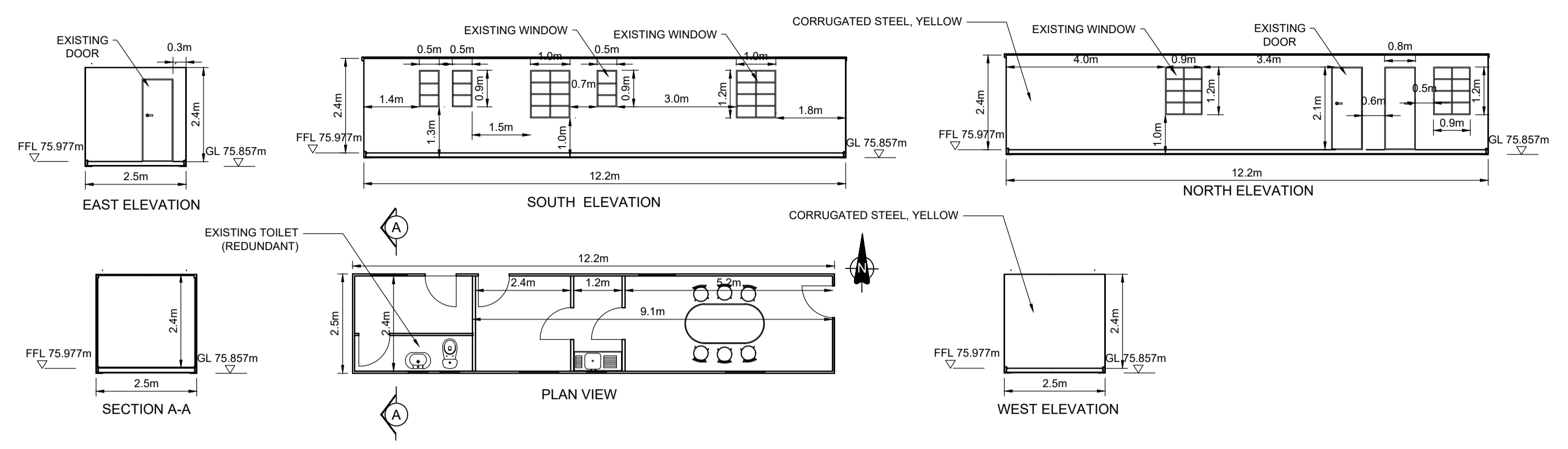
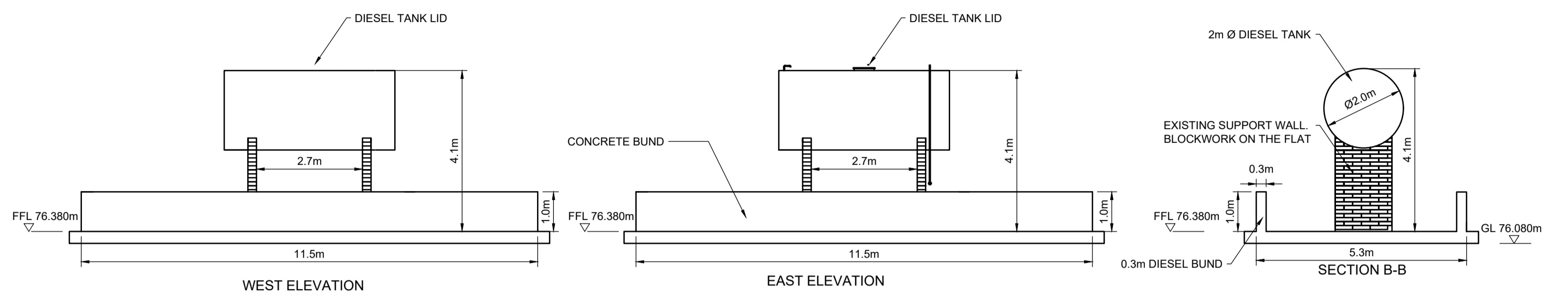


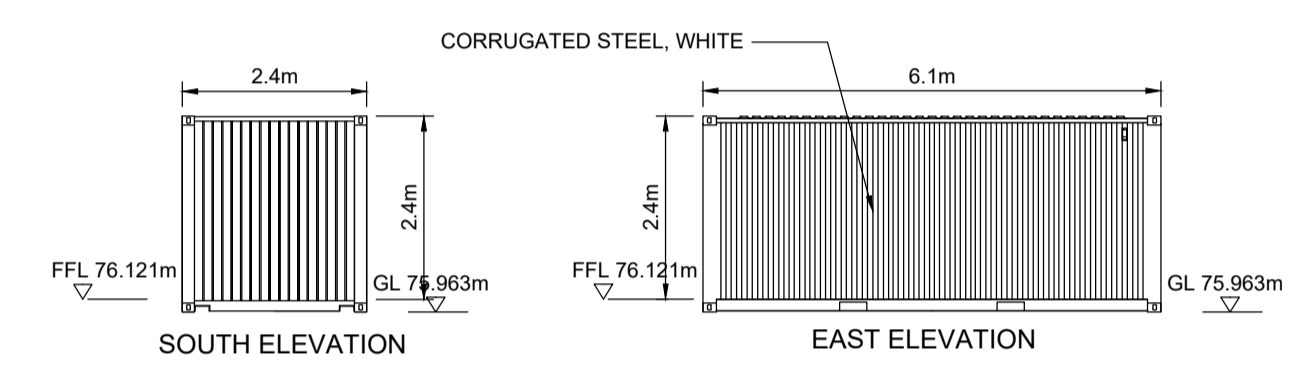
- NOTES:**
1. THIS DRAWING IS FOR PLANNING APPLICATION PURPOSES ONLY.
  2. DRAWING NOT TO BE SCALED. FIGURED DIMENSIONS ONLY TO BE USED.
  3. ALL LEVELS TO MALIN HEAD METRES ABOVE DATUM



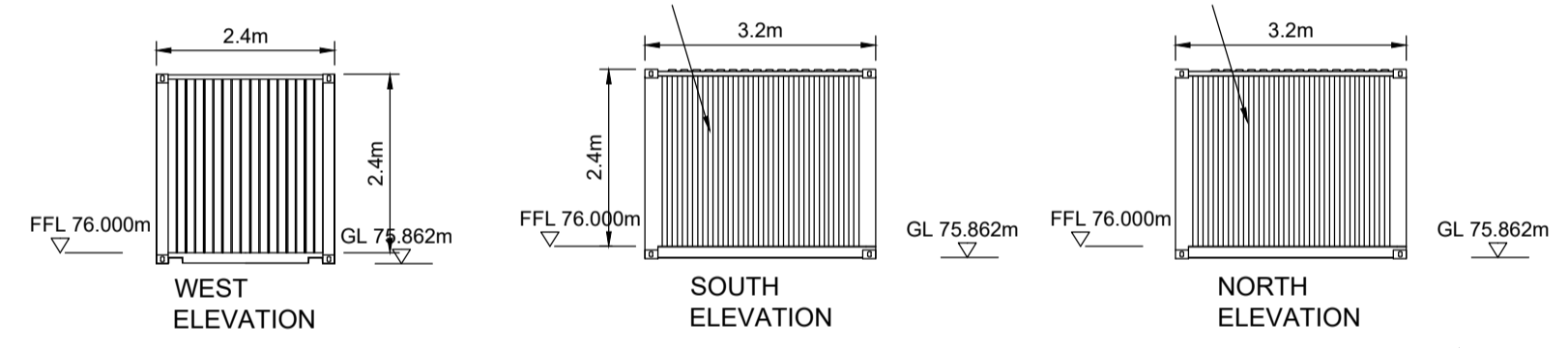
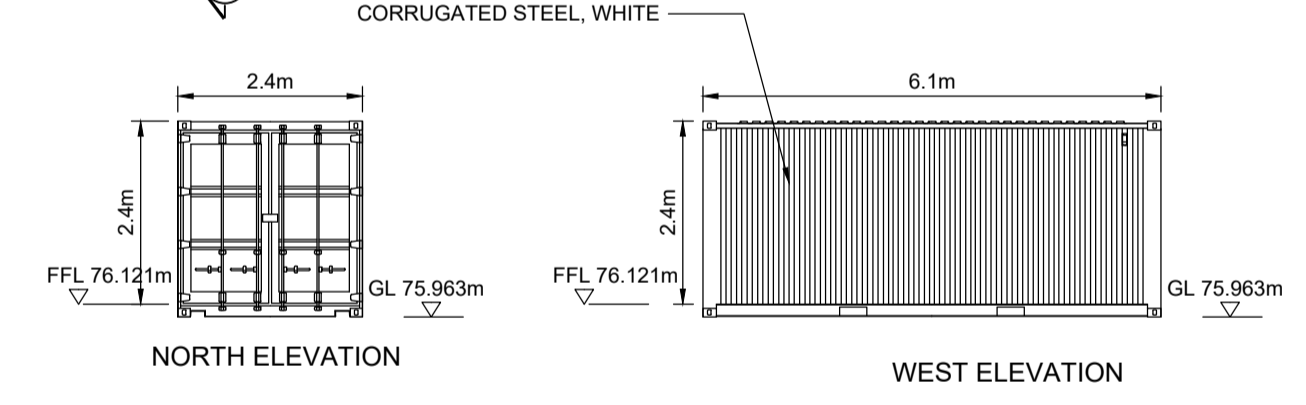
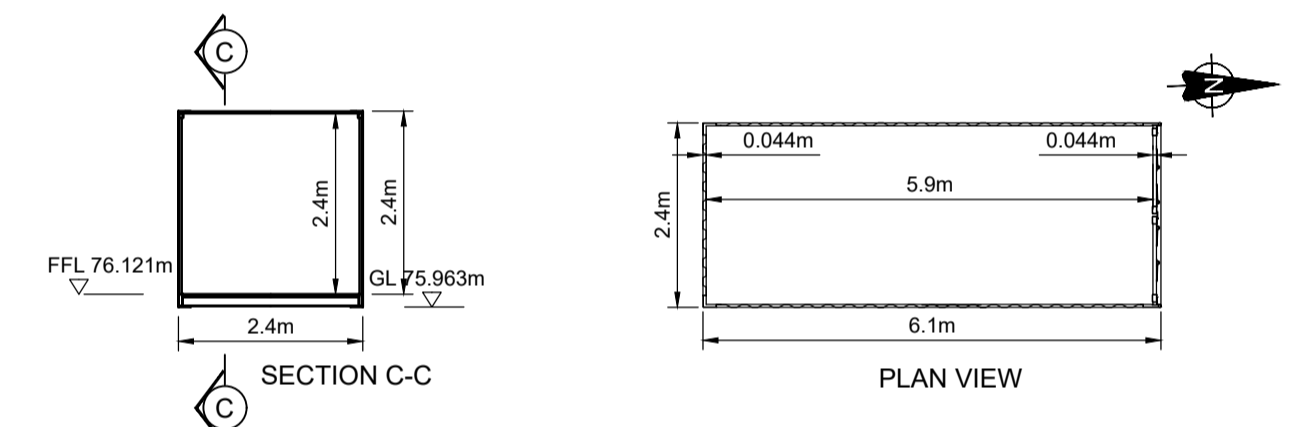
OLD PRODUCTION CENTRE BUILDING  
SCALE 1:100



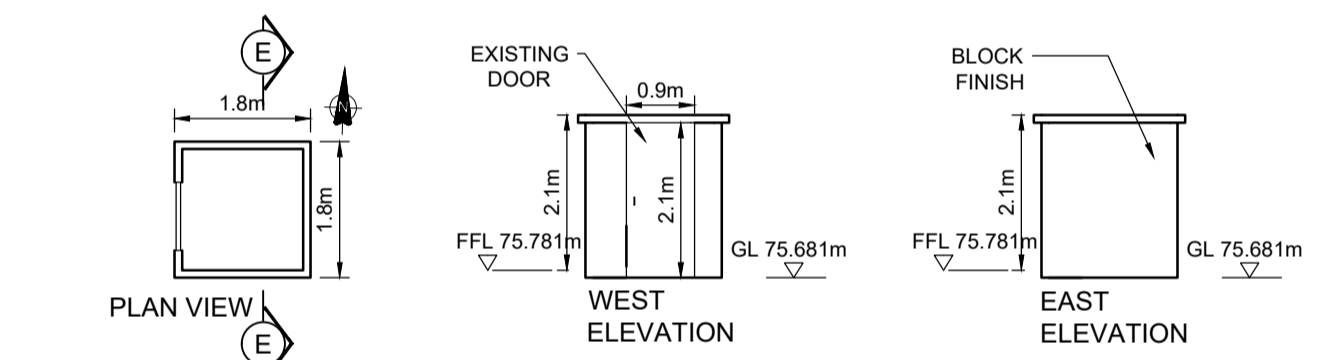
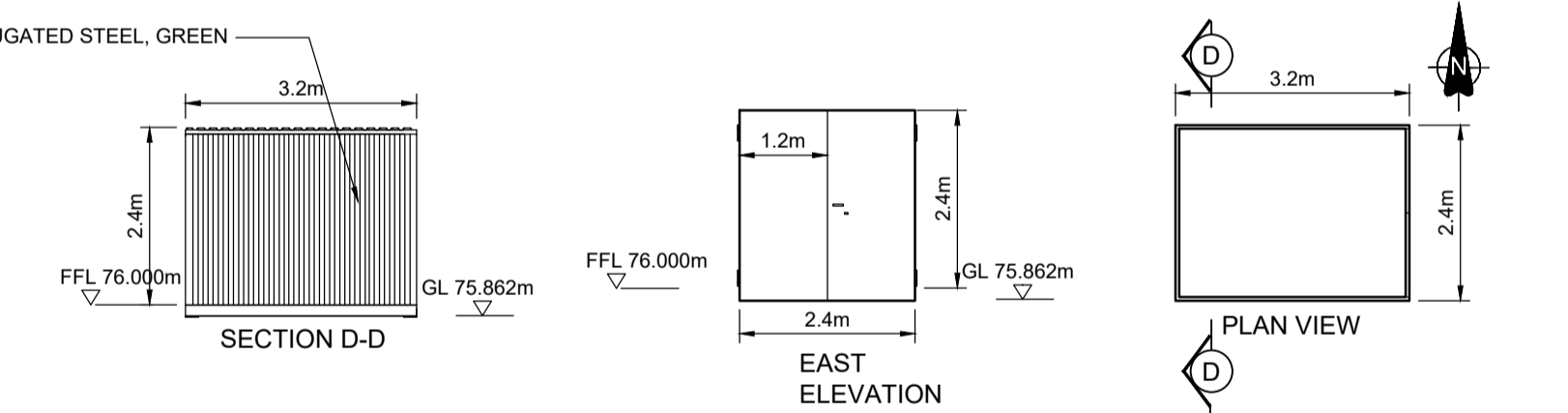
BUNDED OIL TANKS  
SCALE 1:100



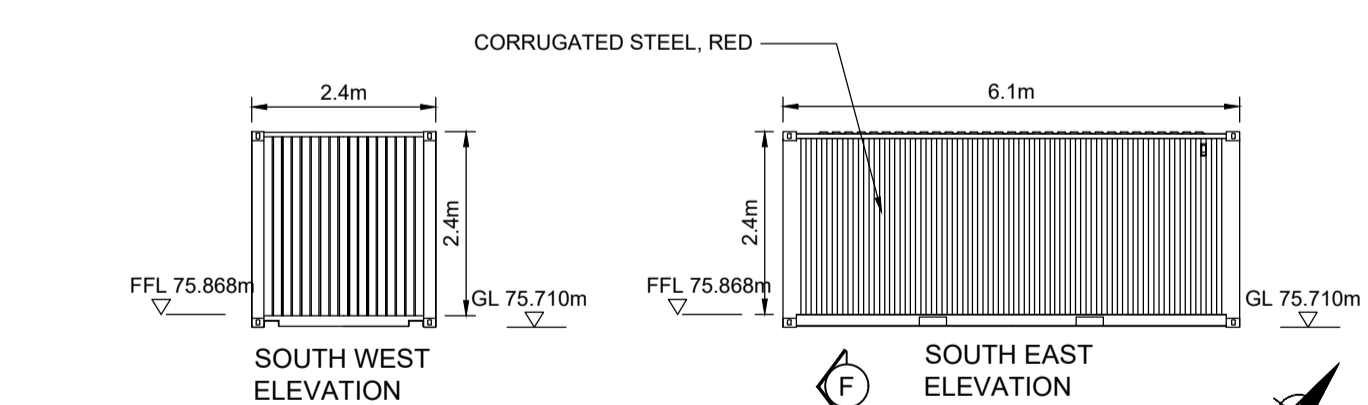
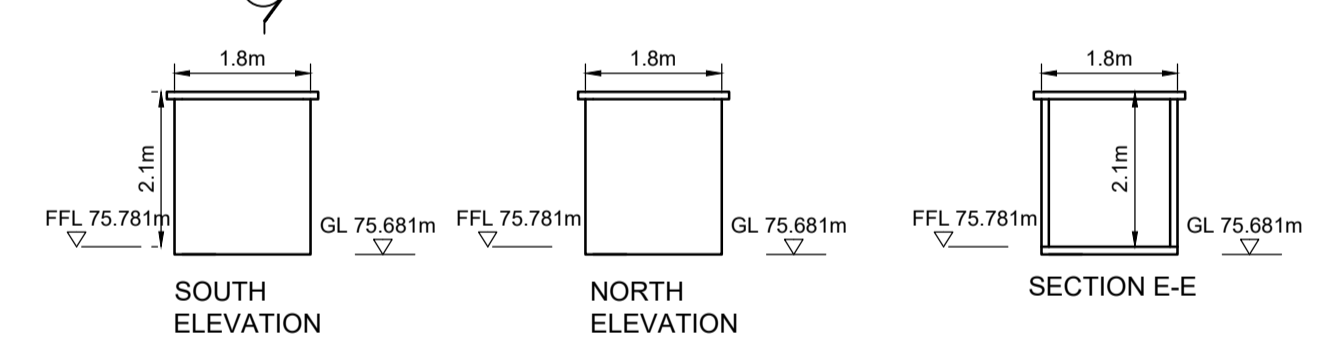
STORAGE CONTAINER KG01  
SCALE 1:100



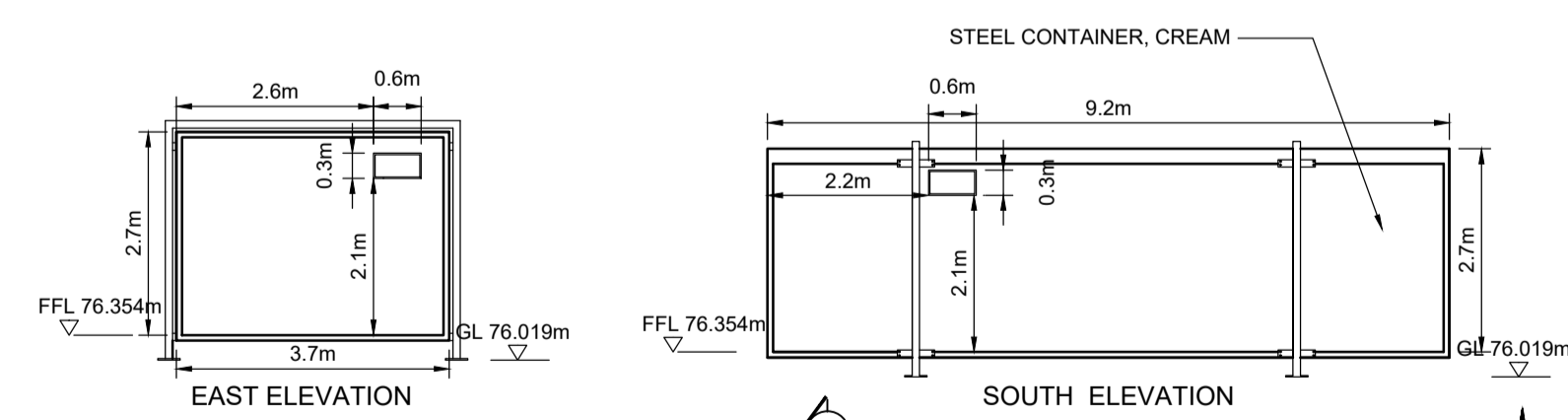
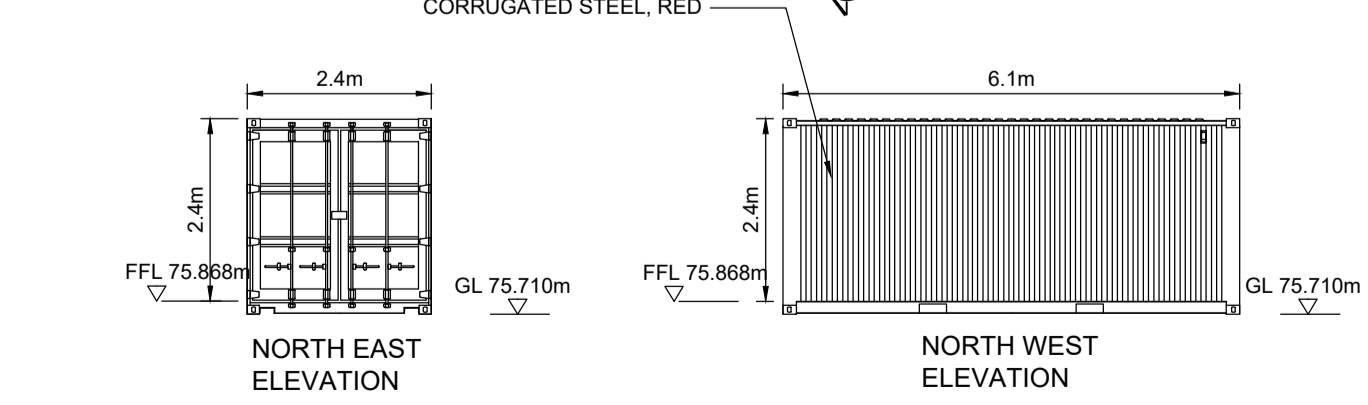
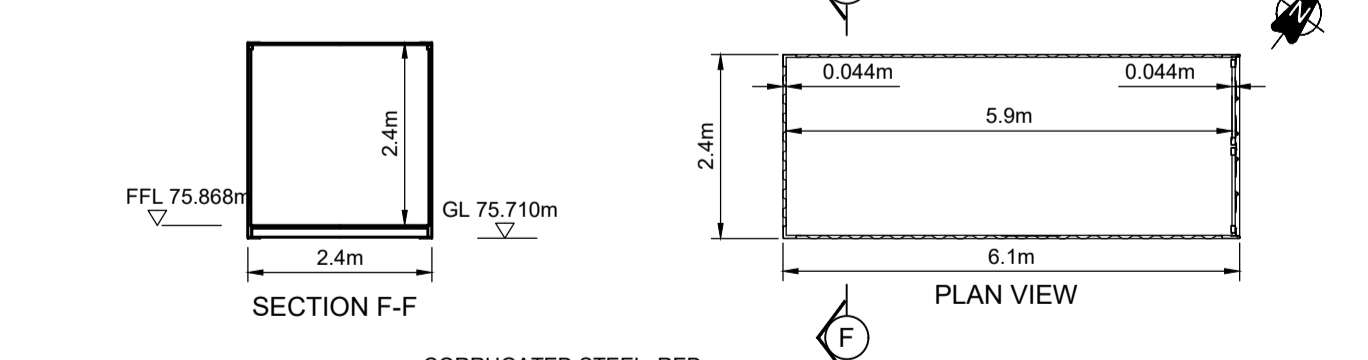
STEEL CONTAINER STORE (FUELS)  
SCALE 1:100



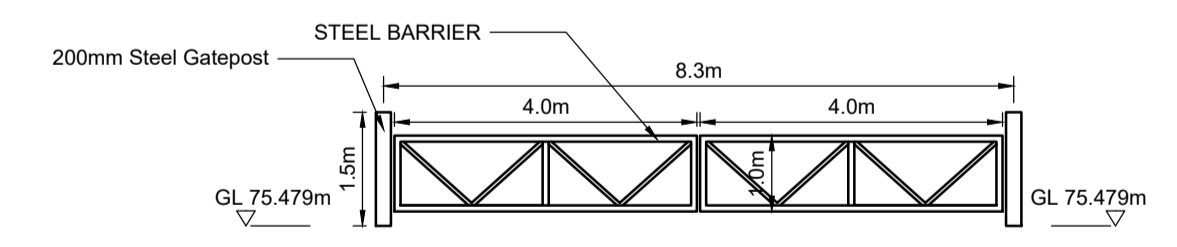
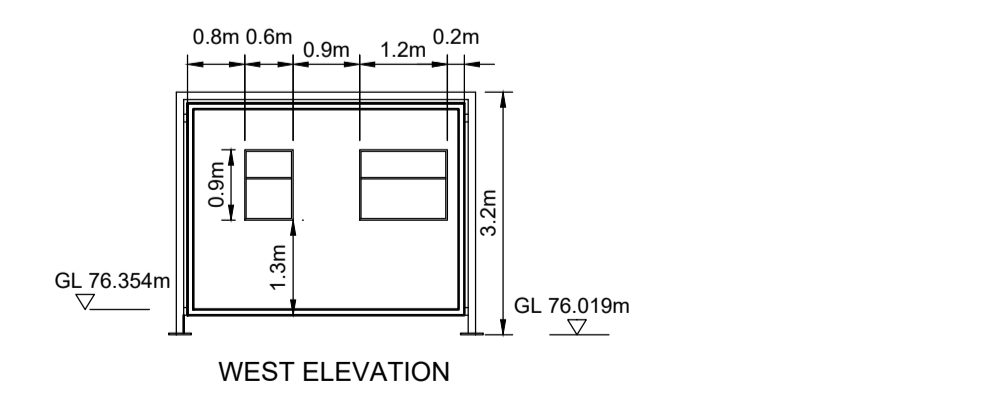
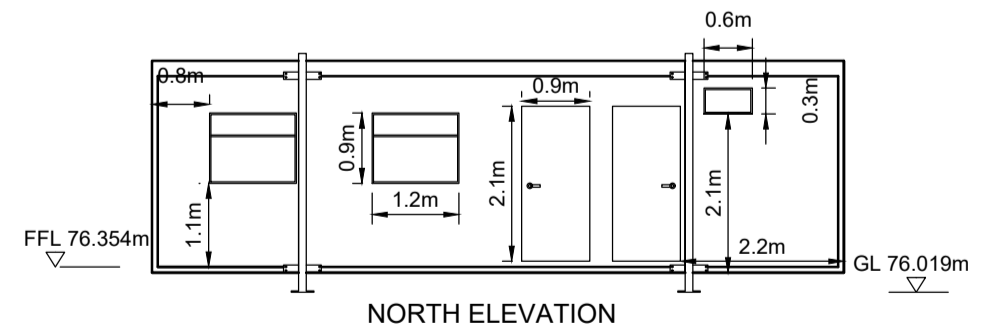
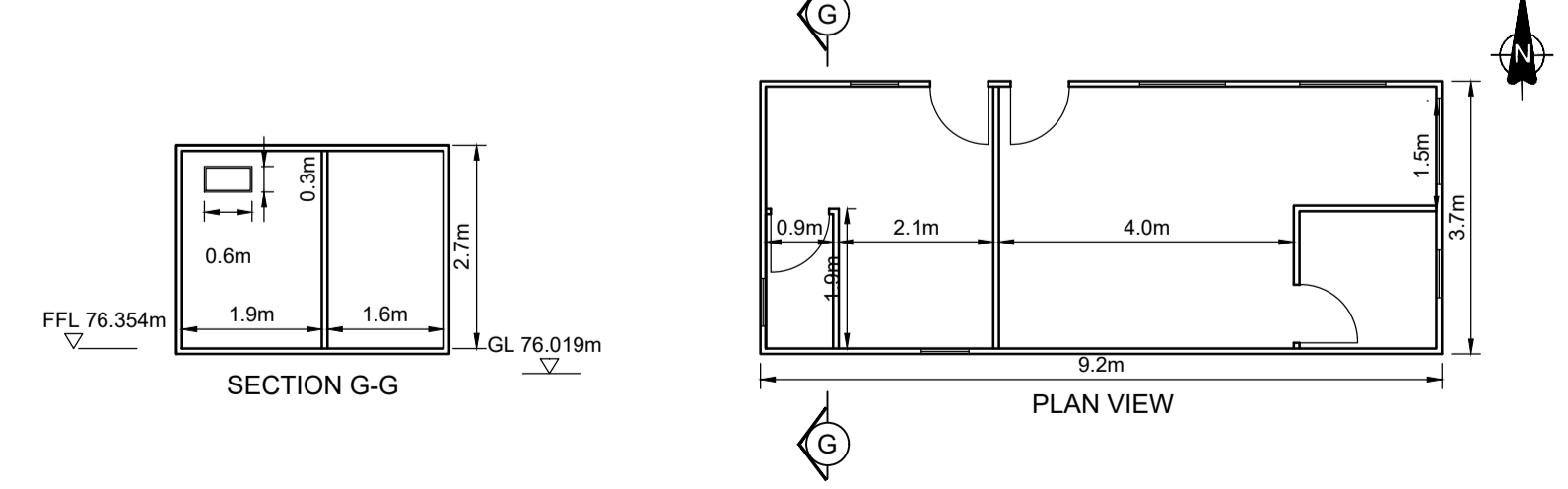
PUMPHOUSE  
SCALE 1:100



STORAGE CONTAINER KG02  
SCALE 1:100



NEW PRODUCTION CENTRE BUILDING  
SCALE 1:100



SITE ENTRANCE GATE  
SCALE 1:100

REVISION	By	Date	Chk'd	Title:	
				SUBSTITUTE CONSENT APPLICATION KINNEGAD BOG, CO OFFALY	
Dimensions in METRES				Project:	
Scale: 1/100 @ A1				BORDMÓNA Naturally Driven	
Drawn By:	CG	31/03/2020	LEABEG, TULLAMORE CO. OFFALY Tel: 057 9345900 Fax: 057 9345160		
Checked By:	PN	07/04/2020	Drawing No.	Revision.	Sheet 1
Approved By:	DK	14/04/2020	SC-0501-KG-DR05		of 2